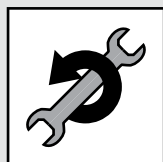
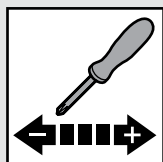
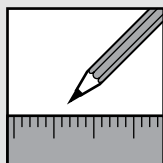
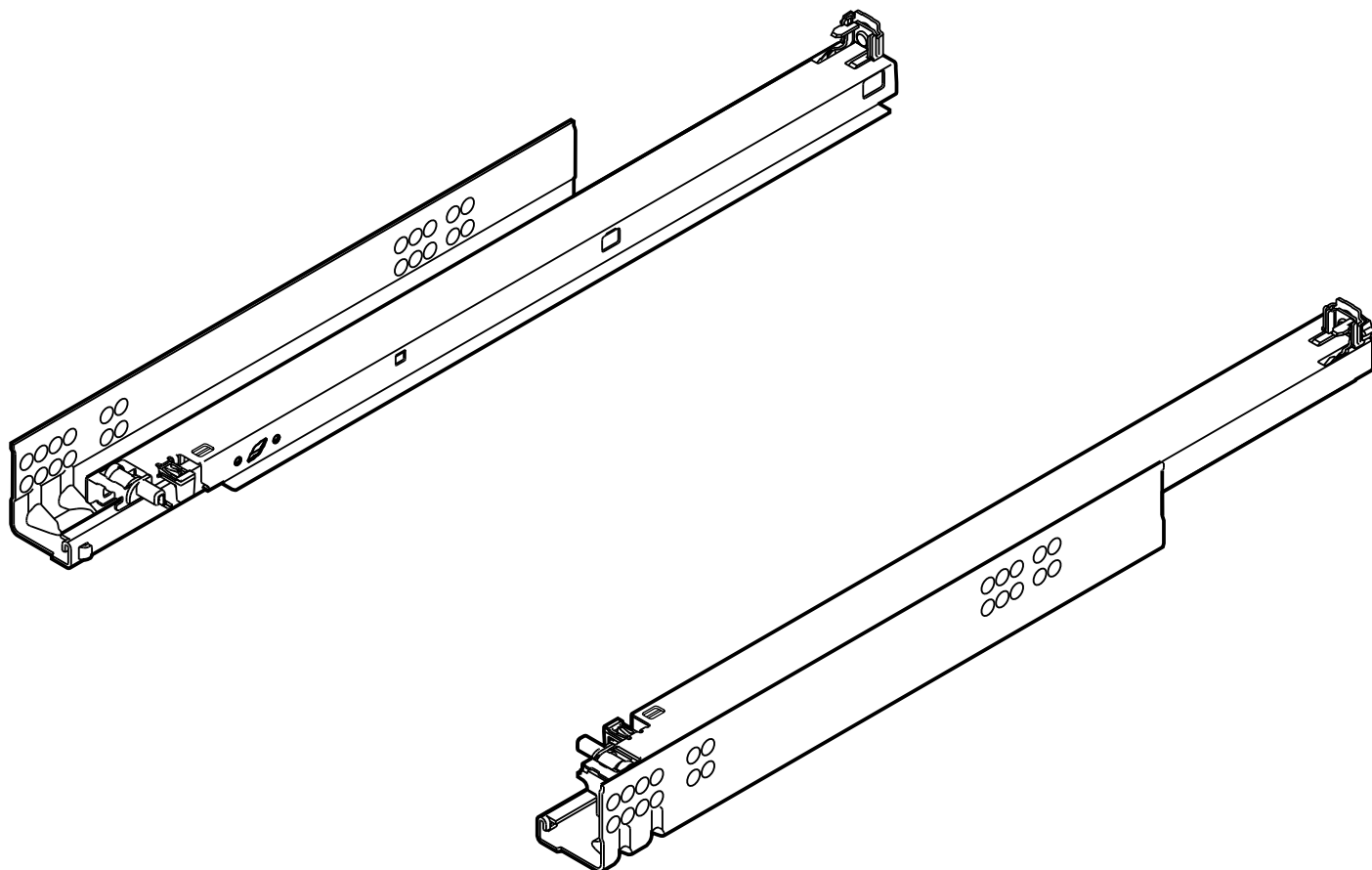


BLUMOTION

by Blum

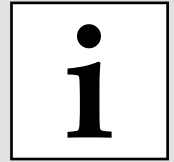


TANDEM 19 mm

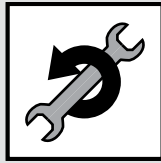
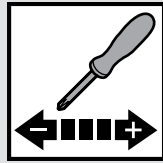
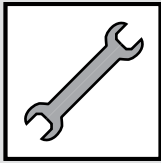
[www.blum.com](http://www.blum.com)

The Blum logo, featuring a stylized arrow pointing upwards and to the right, followed by the word "blum" in a bold, lowercase sans-serif font, with a registered trademark symbol (®) to the upper right.

# TANDEM 19mm



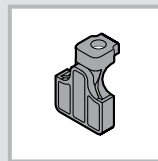
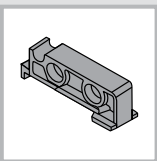
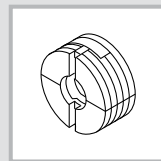
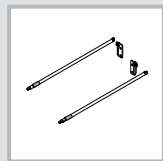
Standardanwendungen | Standard applications | Applications standard | Applicazioni standard | Aplicaciones estándar |  
Rozwiązania standardowe | Стандартные конструкции



<http://www.blum.com/1GIIP>

**550F  
560F  
566F**

**551F  
561F**



Planung | Planning | Planification |  
Progettazione | Planificación |  
Planowanie | Проектирование

**550F  
560F  
566F**

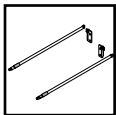


Montage | Assembly | Montage |  
Montaggio | Montaje | Montaž |  
Монтаж

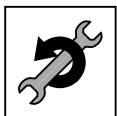
**551F  
561F**



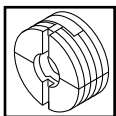
Einstellung | Adjustment | Réglage |  
Regolazione | Ajuste | Regulacja |  
Регулировка



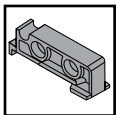
Reling | Gallery | Tube | Ringhierina |  
Guardacuerpo | Reling | Релинг



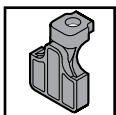
Demontage | Removal | Démontage |  
Smontaggio | Desmontaje |  
Demontaž | Демонтаж



Frontverstellbeschlag | Drawer  
front adjuster | Ferrure de réglage  
de la face | Accessorio frontale  
regolabile | Herraje de ajuste del  
frente | Regulatory frontu | Фасадный  
эксцентрик



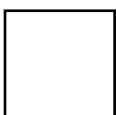
Aufsteckhalter | Rear fixing  
bracket | Attache-coulisse |  
Sostegno ad incastro | Soporte-  
guía | Trzpień | Задний держатель



POSISTOP



Klickbar | Clickable | Cliquable |  
Cliccabile | Se puede hacer clic |  
Klikalny | Кликабельно



Nicht Klickbar | Not clickable |  
Pas cliquable | Non cliccabile |  
No se puede hacer clic |  
Nie klikalny | Некликабельно



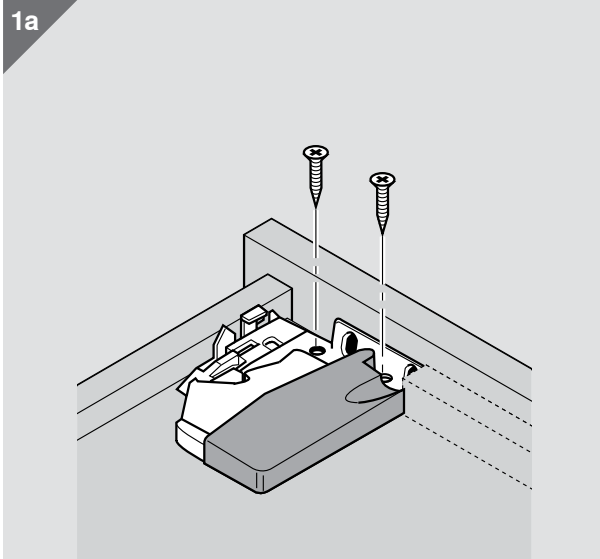
Zurück | Back | Retour | Indietro |  
Hacia atrás | Wstecz | Назад

TANDEM 19mm

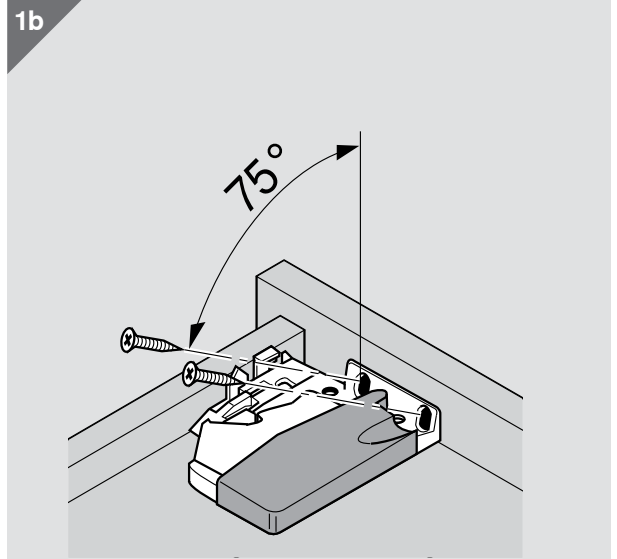


550F  
560F  
566F

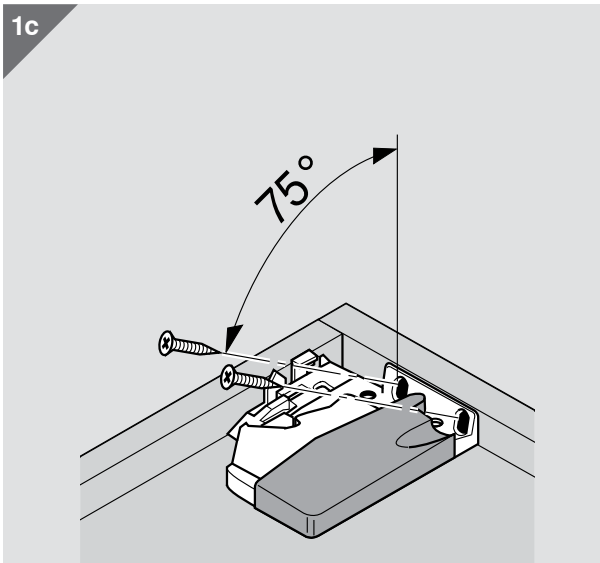
1a



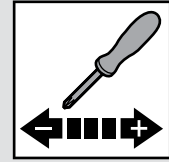
1b



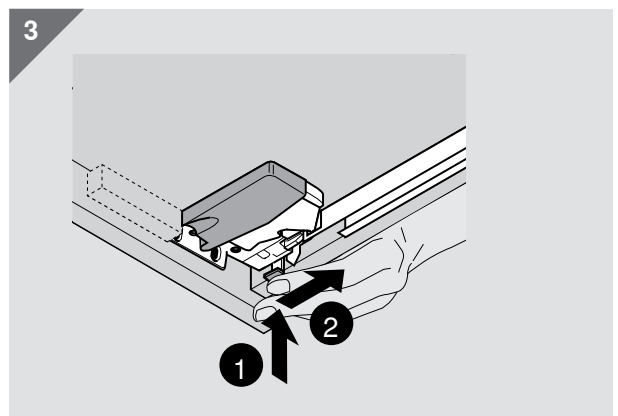
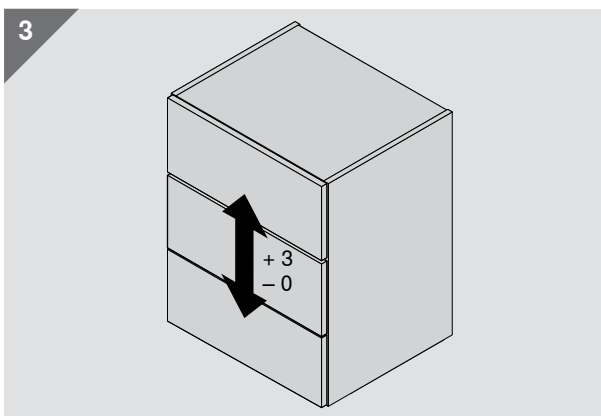
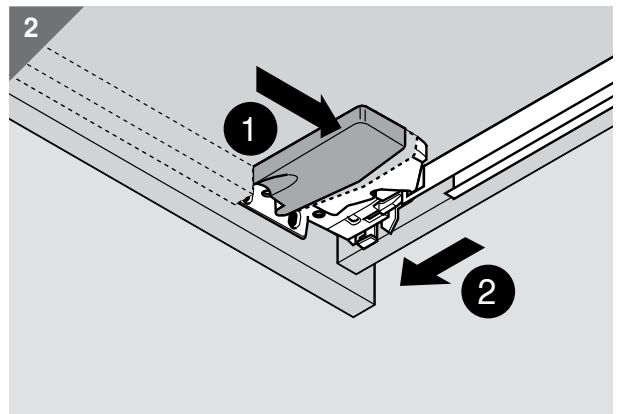
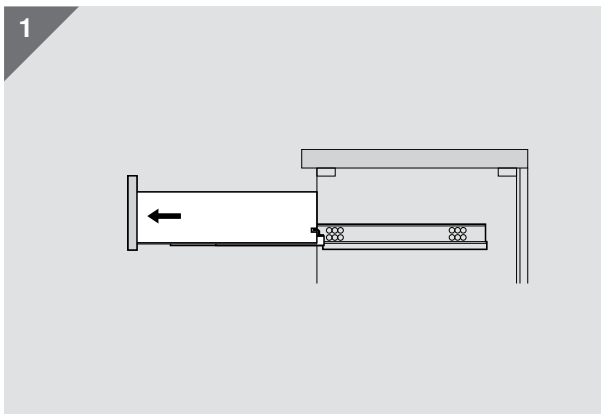
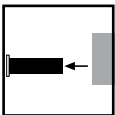
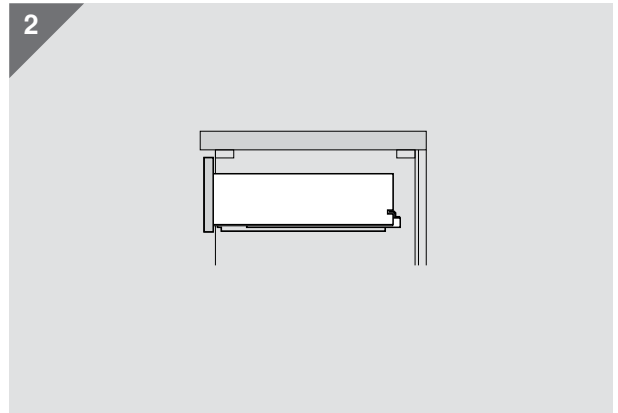
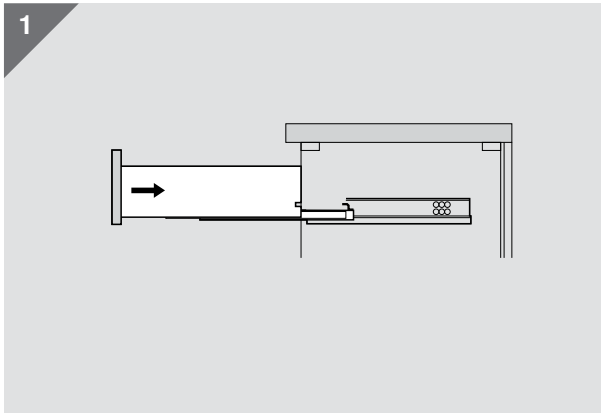
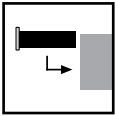
1c



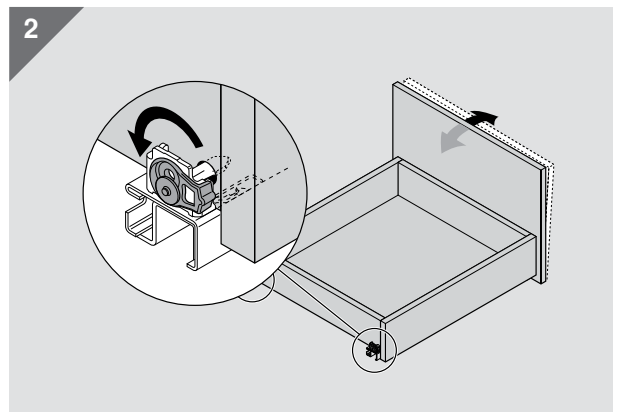
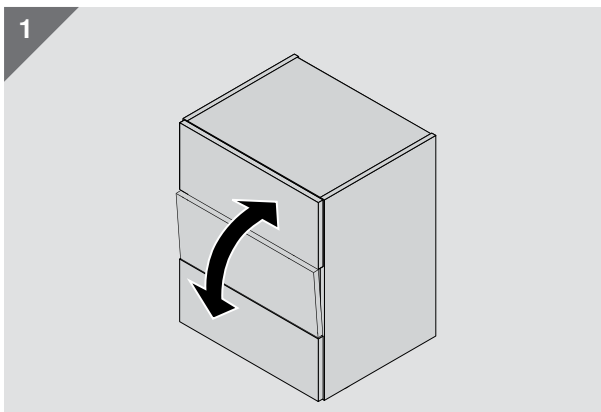
TANDEM 19mm



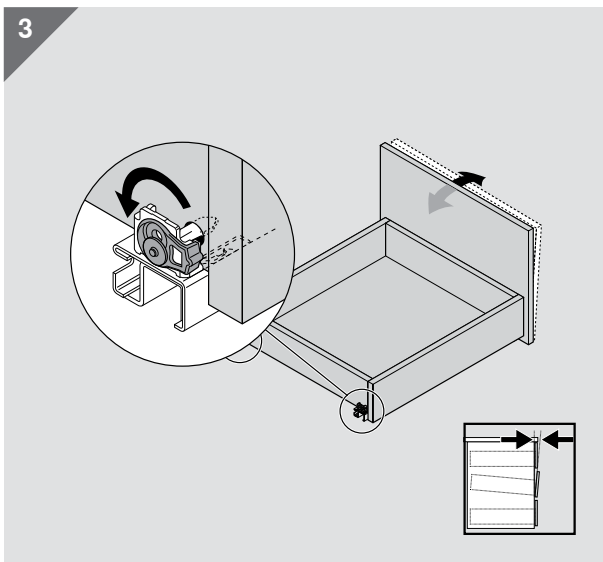
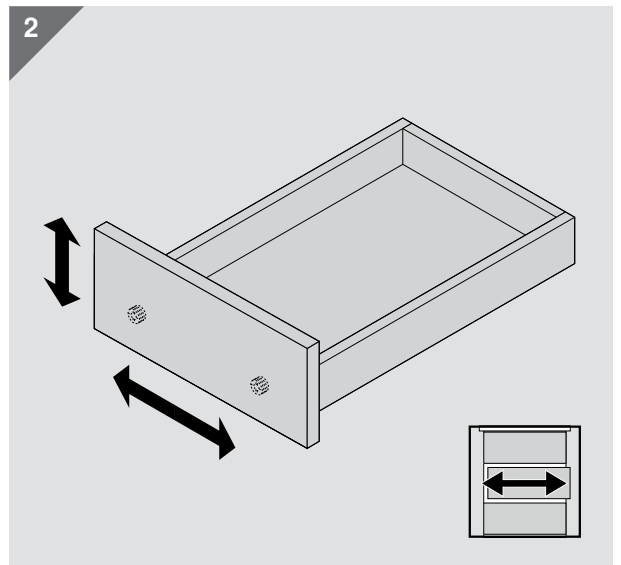
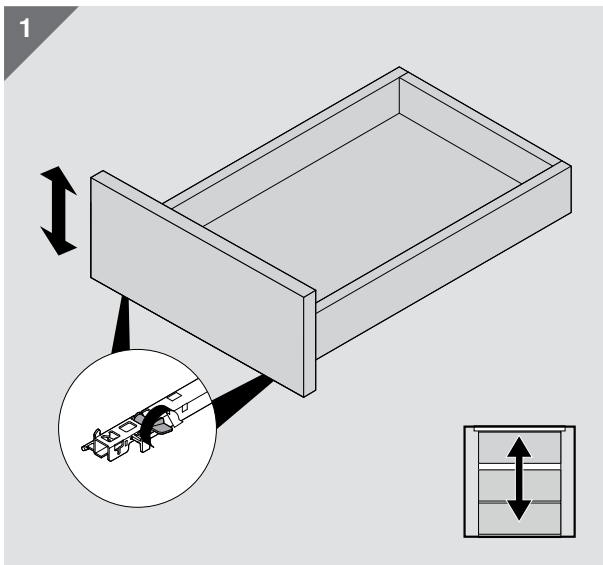
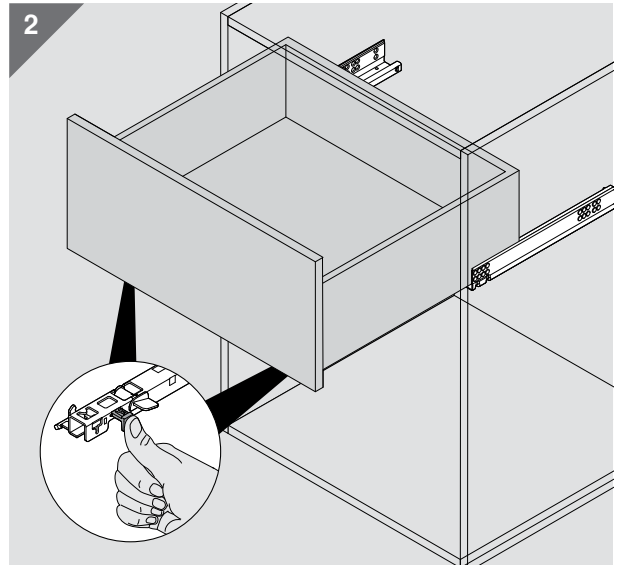
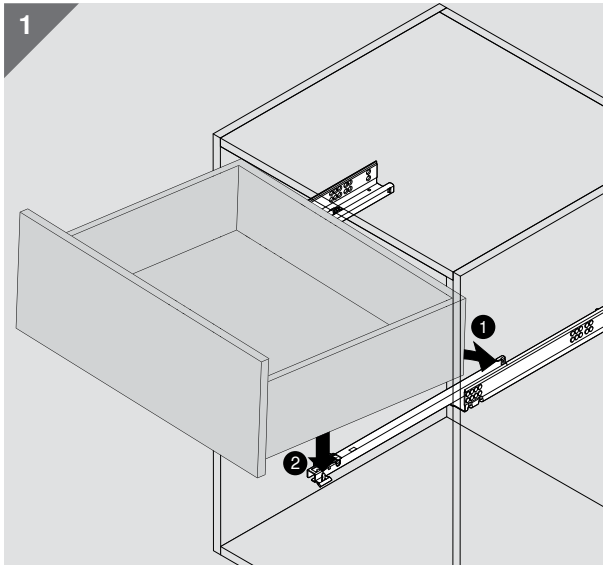
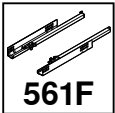
550F  
560F  
566F



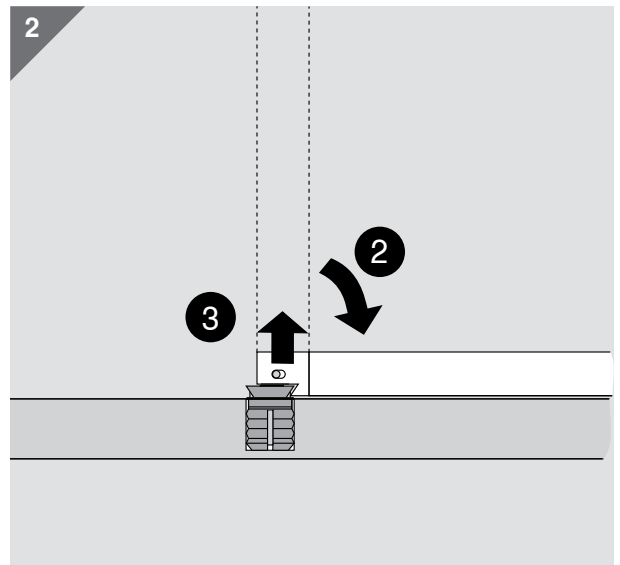
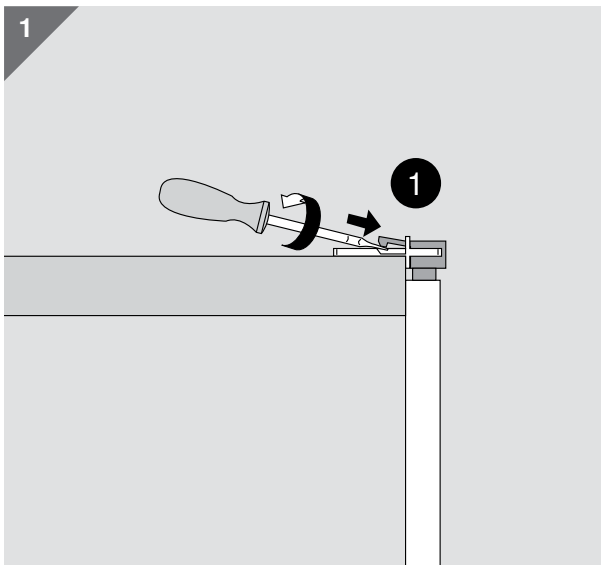
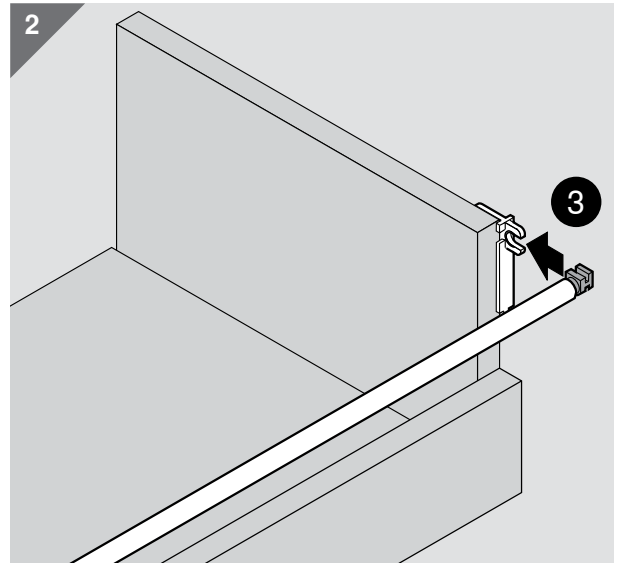
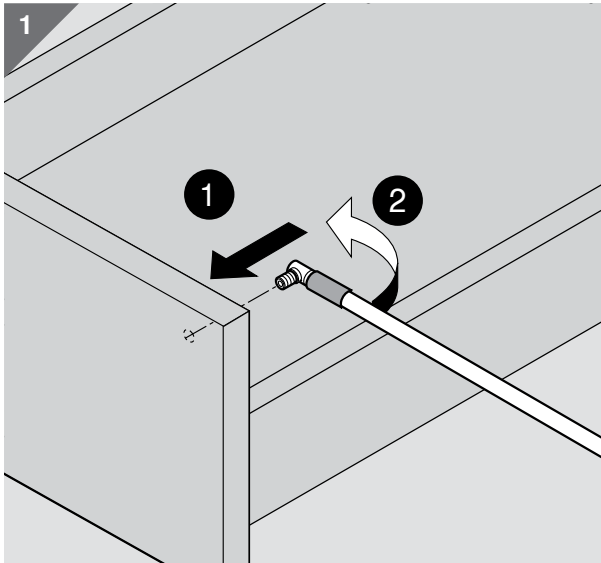
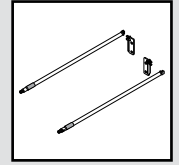
560F  
566F



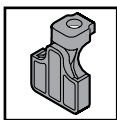
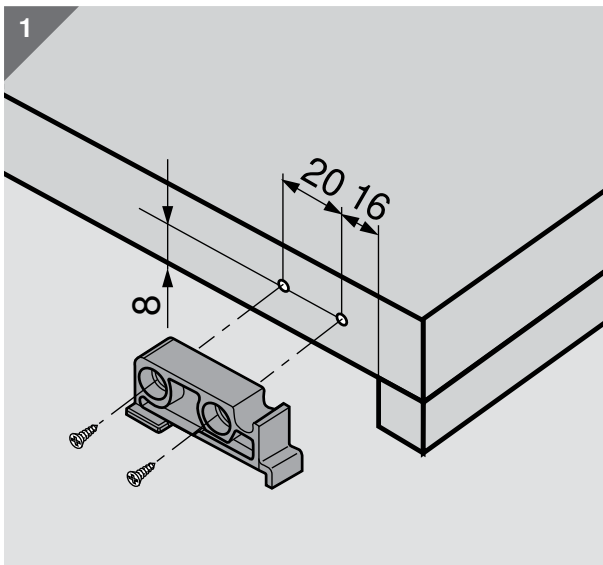
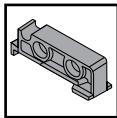
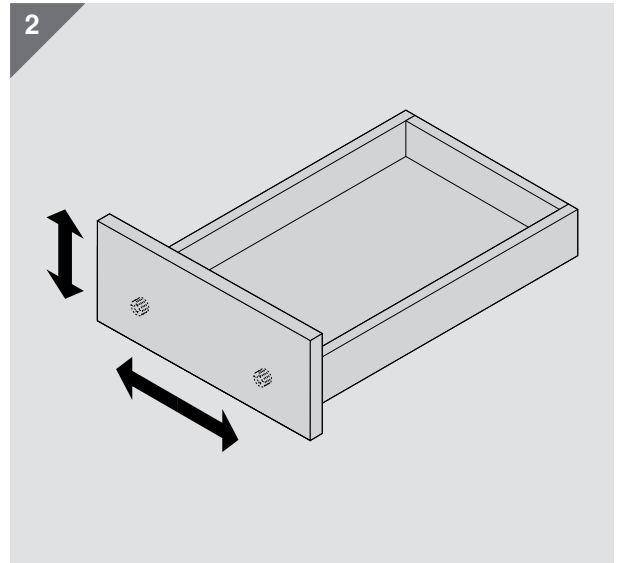
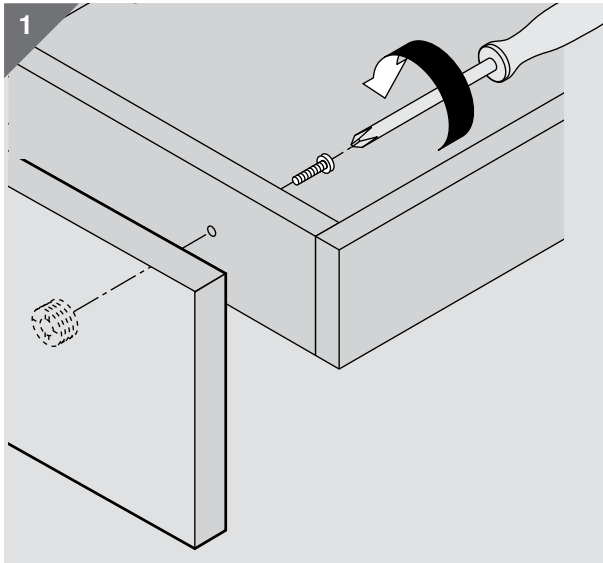
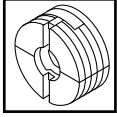
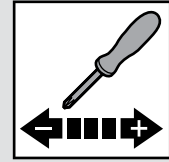
# TANDEM 19mm



# TANDEM 19mm



# TANDEM 19mm



550F  
560F  
566F

