

KRABY LID STAY

drop down Length = 164mm - 244mm - 355mm

ITALIANA
ferramenta

KRABY is the new gas and oil stay conception with a completely new design available also to open drop down doors.

It has been conceived to be installed by using standard automatic drilling processes.

It is available in just one strength to suit small-medium-big size doors.

It can be fixed directly on solid doors or wider aluminium frame section doors.

For small aluminium sections a range of special adaptors is available.

It has a special slow down system, once you begin to open the door, it continues to open gently and completely by itself.

Useful method:

- For aligning nearby doors through the rotary knob placed on the piston base plate.
- To change the time in opening of the door by adjusting the position of the piston base plate within the slot of the side bracket.

All the parts (stay excluded) are in zinc alloy nickel plated and engineering plastic.

In accordance with Italian regulation UNI 8607

PATENTED



DRILLING PLAN

STANDARD SPRUNG HINGE

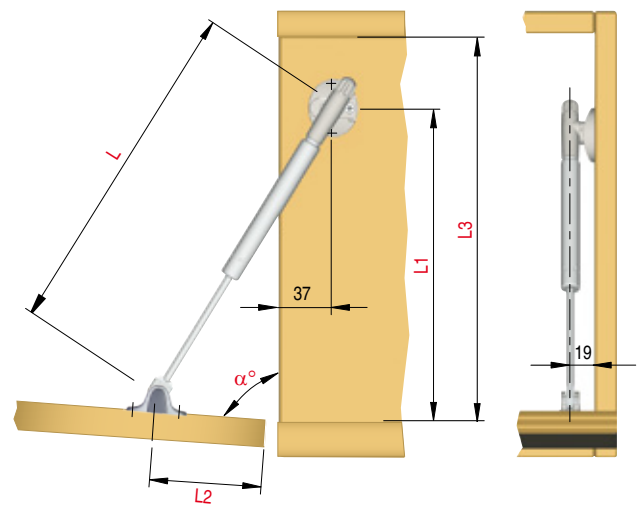
Part.no	L (mm)	L1 (mm)	L2 (mm)	L3 (mm)	α°
42201010NN	164	164	47	193 min.	$\frac{103^\circ \text{max}}{83^\circ \text{min.}}$
42210010NN	244	240	84	270 min.	$\frac{94^\circ \text{max}}{83^\circ \text{min.}}$
42230010NN	355	345	135	374 min.	$\frac{90^\circ \text{max}}{83^\circ \text{min.}}$

The dimensions of the above drilling plan refer to carcasses which use standard sprung hinges and mounting plates 0mm.

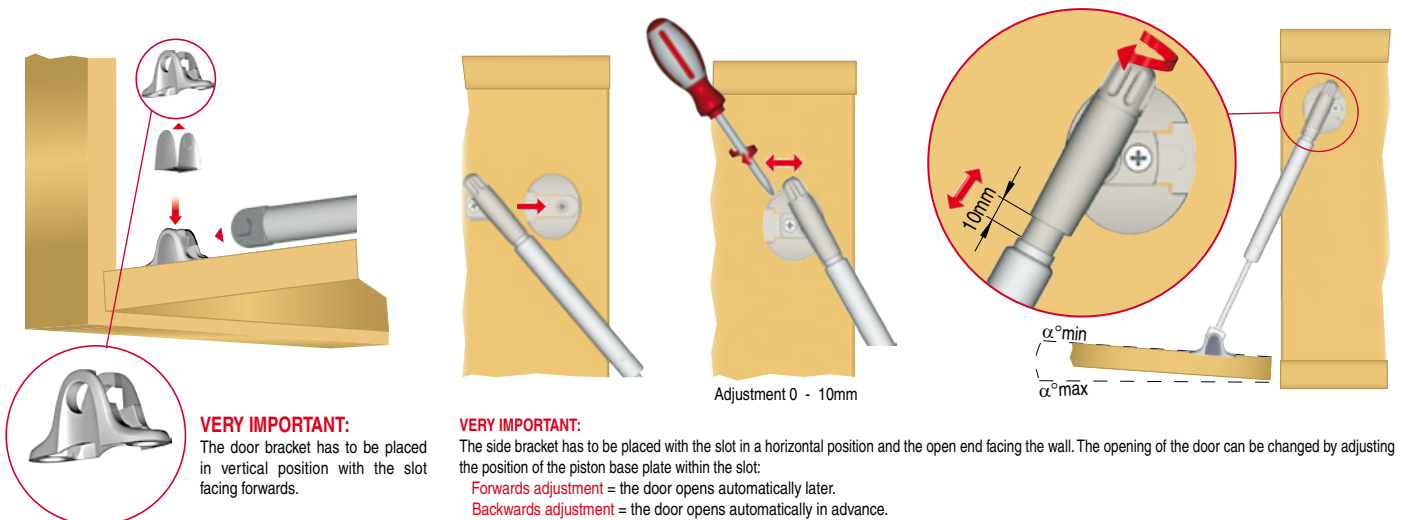
FLAP HINGE

Part.no	L (mm)	L1 (mm)	L2 (mm)	L3 (mm)	α°
42201010NN	164	170	50	199 min.	$\frac{90^\circ \text{max}}{70^\circ \text{min.}}$
42210010NN	244	240	84	270 min.	$\frac{90^\circ \text{max}}{80^\circ \text{min.}}$
42230010NN	355	342	130	371 min.	$\frac{90^\circ \text{max}}{83^\circ \text{min.}}$

The dimensions of the above drilling plan refer to carcasses which use flap hinges.



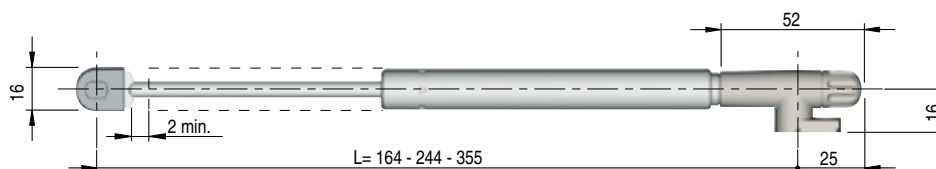
ASSEMBLING



VERY IMPORTANT:
The door bracket has to be placed in vertical position with the slot facing forwards.

VERY IMPORTANT:
The side bracket has to be placed with the slot in a horizontal position and the open end facing the wall. The opening of the door can be changed by adjusting the position of the piston base plate within the slot:
Forwards adjustment = the door opens automatically later.
Backwards adjustment = the door opens automatically in advance.

TECHNICAL DRAWING AND CHART TO FIND THE RIGHT STRENGTH



DROP DOWN

Width door (mm)	1200 max.	
Height door (mm)	Stays	Kg
225 - 250	2xL 164mm	<3,5
301 - 350	2xL 244mm	<4,9
401 - 450	2xL 355mm	<6,3

This chart refers to chipboard or MDF 18mm doors and aluminium frame doors with glass 4mm thick. These are experimental results to be checked by the customer. For a better function and for safety reasons, we suggest to use at least two stays per piece of furniture (extra-size doors might require 3 or more gas stays). For doors whose weights/dimensions are bigger than those reported on the chart, please increase the number of stays accordingly. Please make sure that gas stays are properly regulated in height through the opposite rotary knob so that the weight of the door is equally distributed amongst the stays used. Our technical department is at your disposal to test further cases out of this chart.