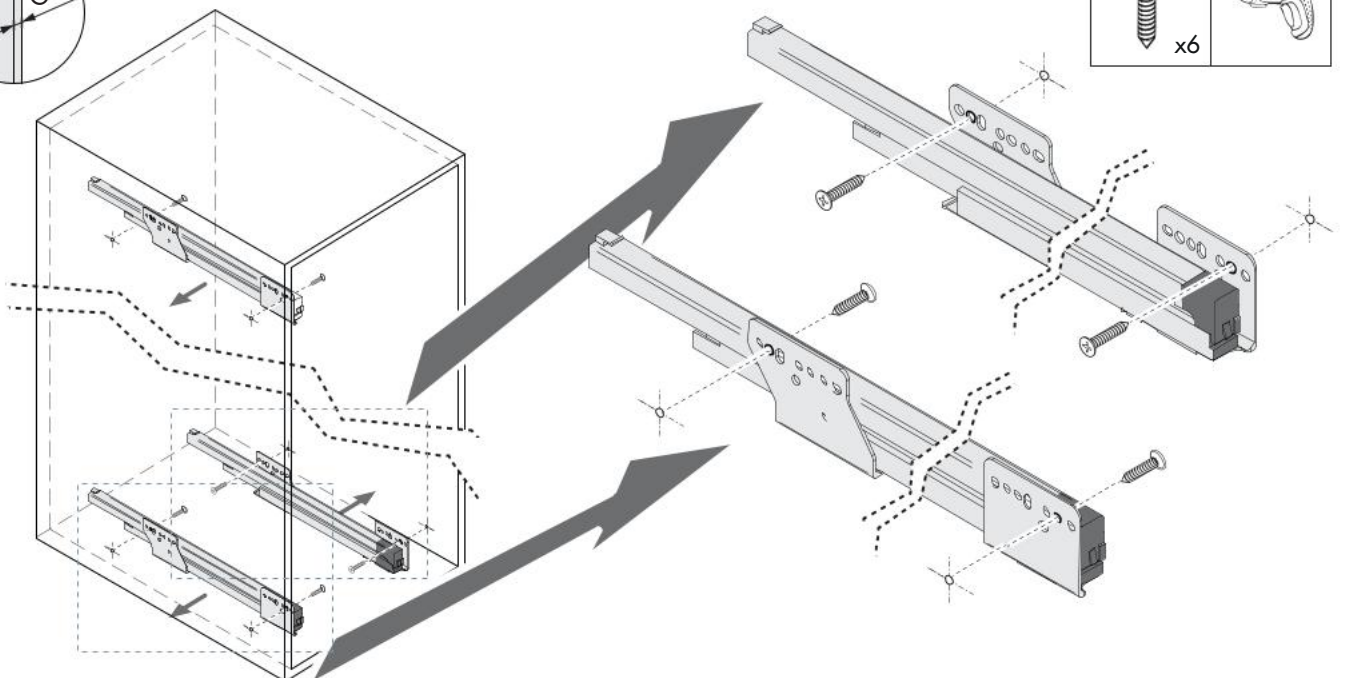
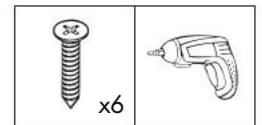
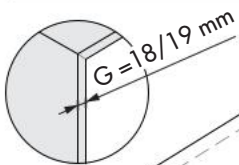
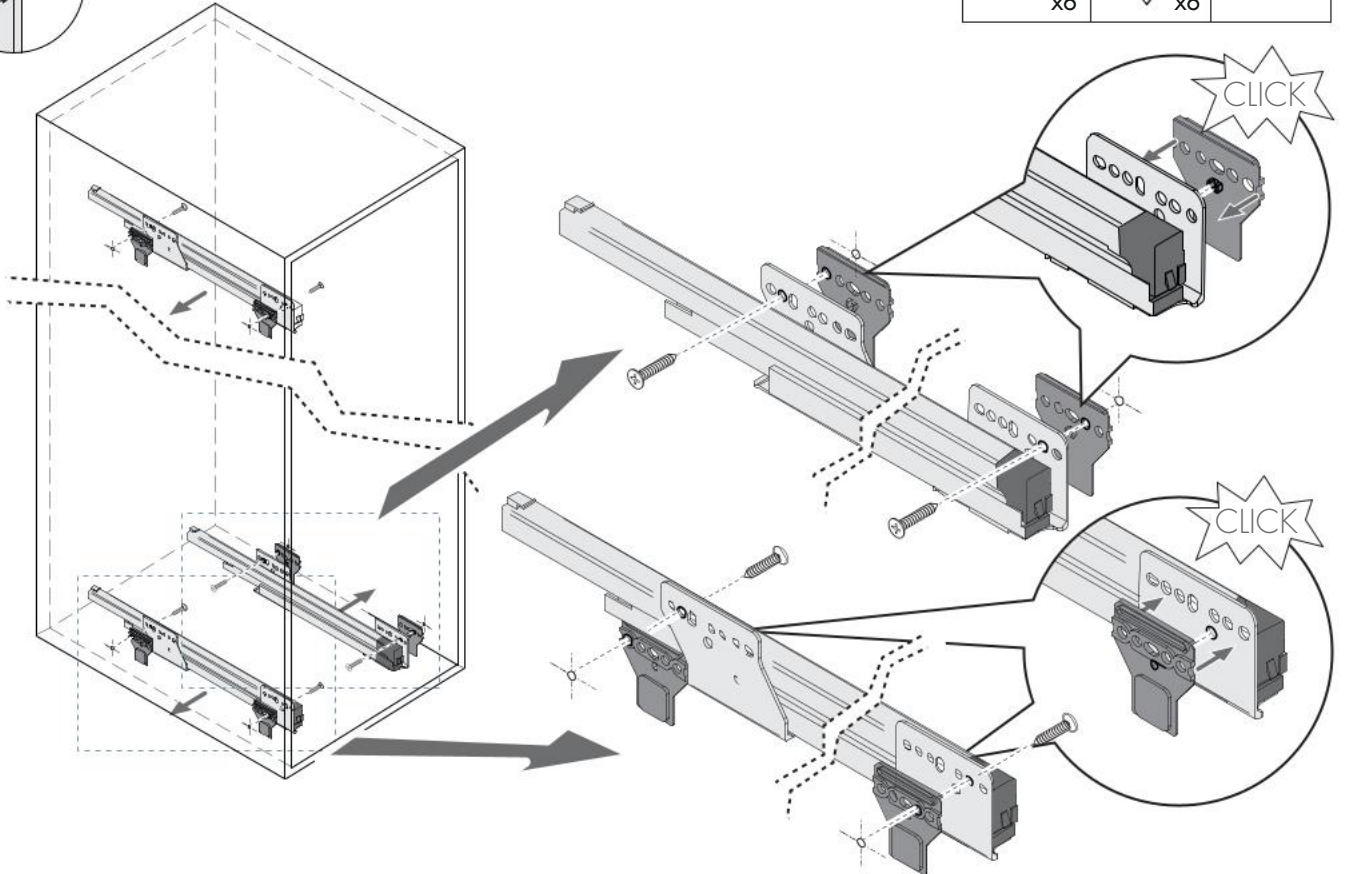
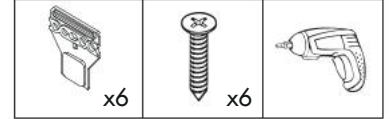
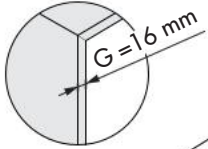
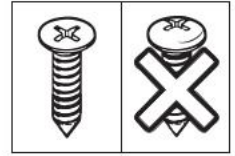
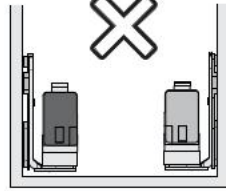
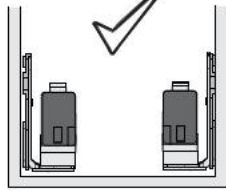
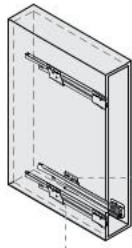
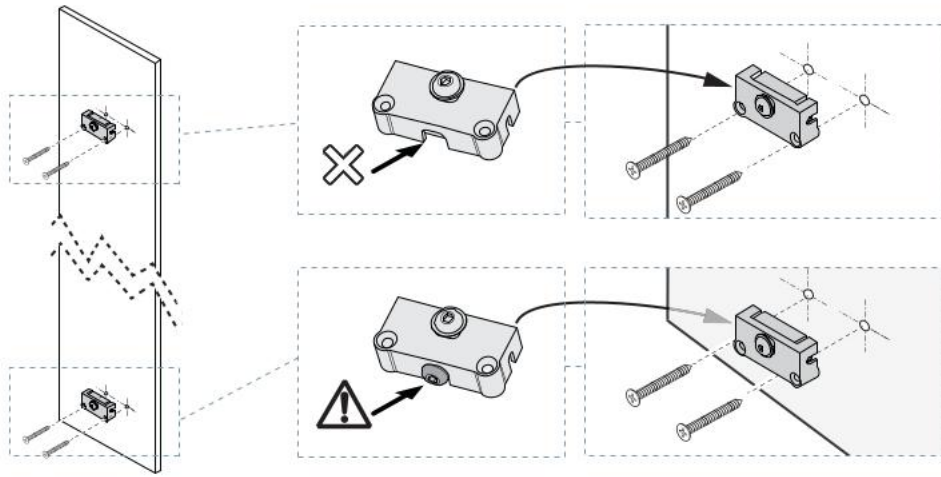


3



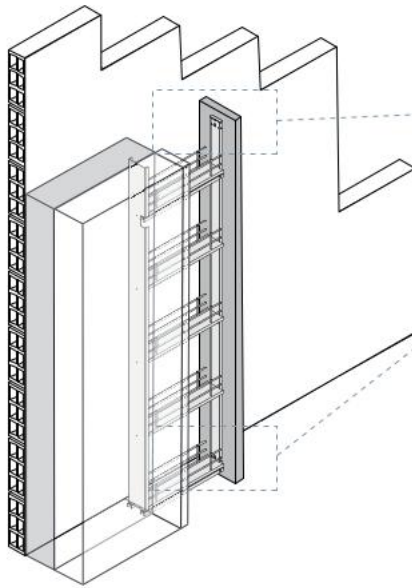
4



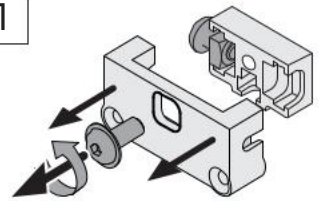
ø3.5x25mm



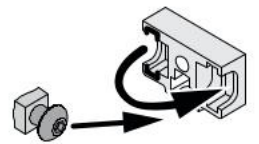
x4



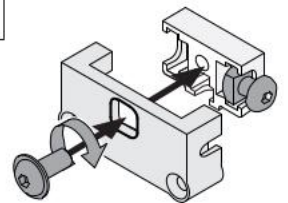
1



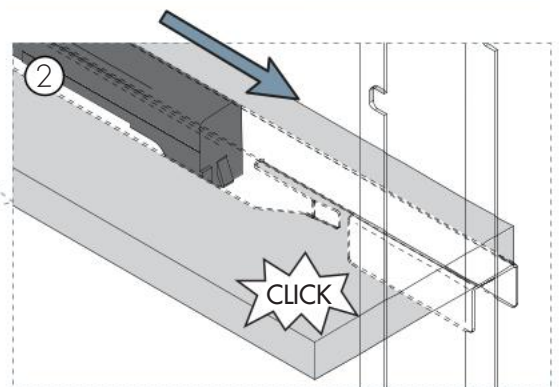
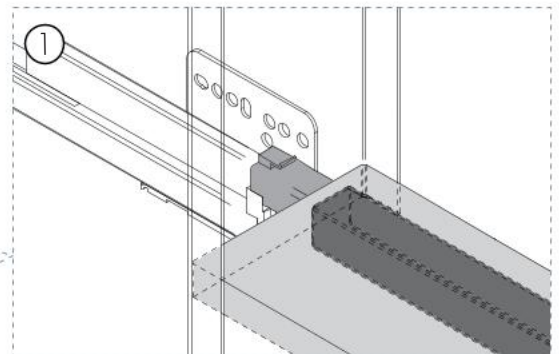
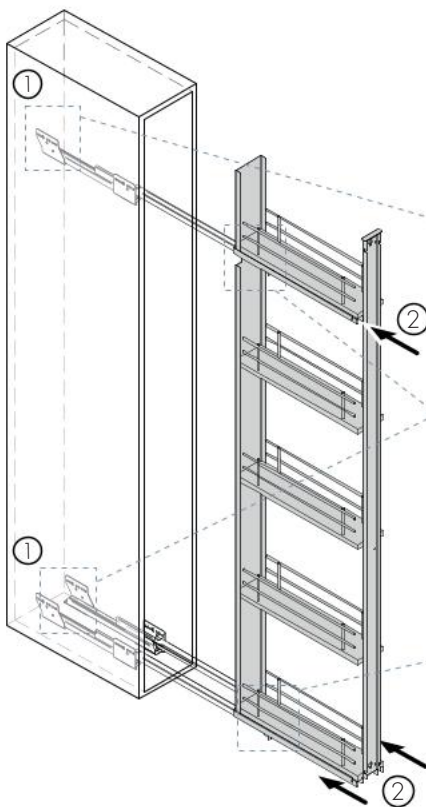
2



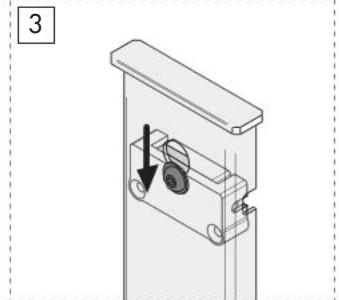
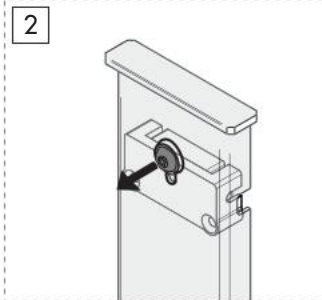
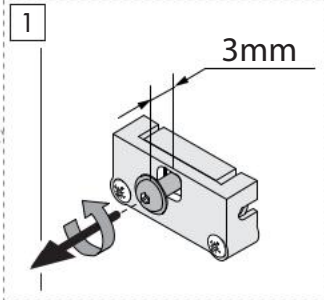
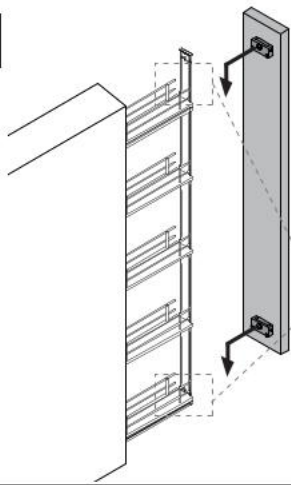
3



5



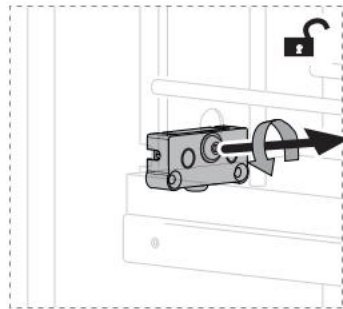
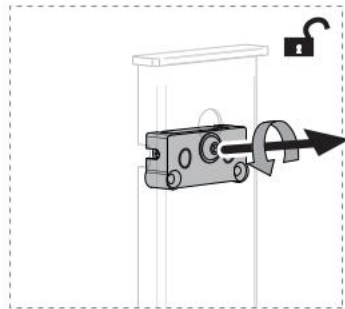
6



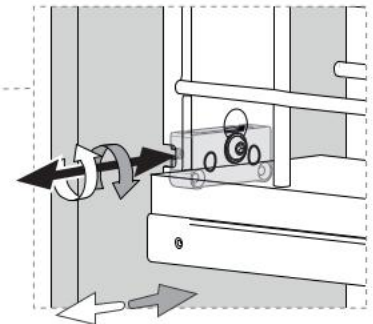
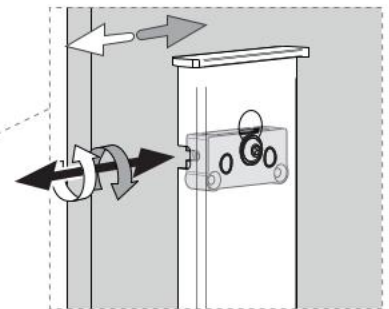
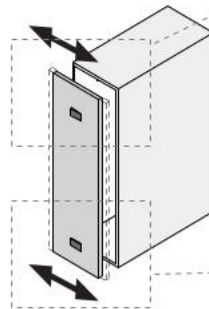
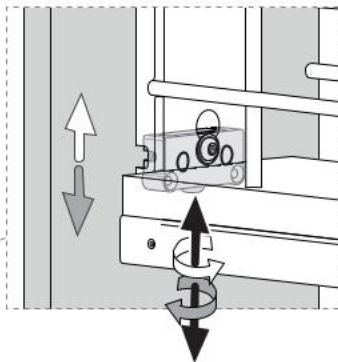
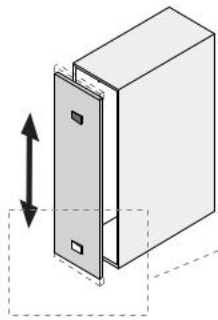
7



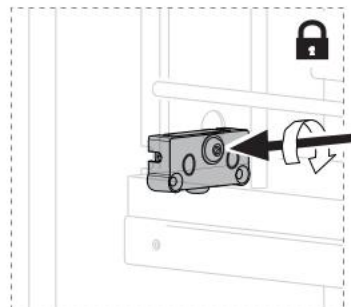
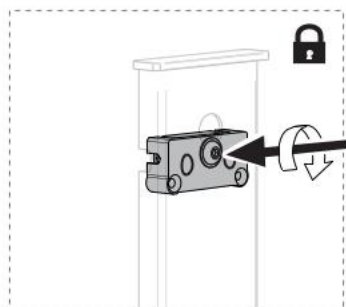
7.1





7.2



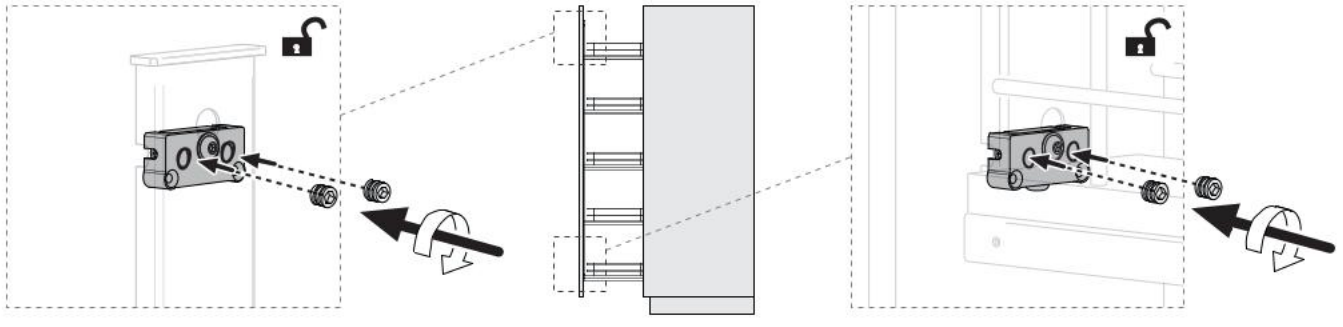
7.3



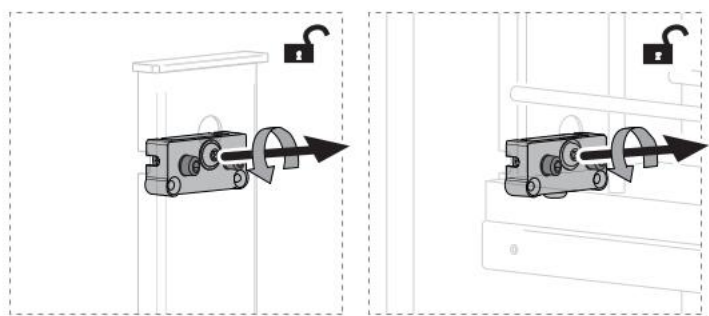
8

M6x6mm	
x4 	3

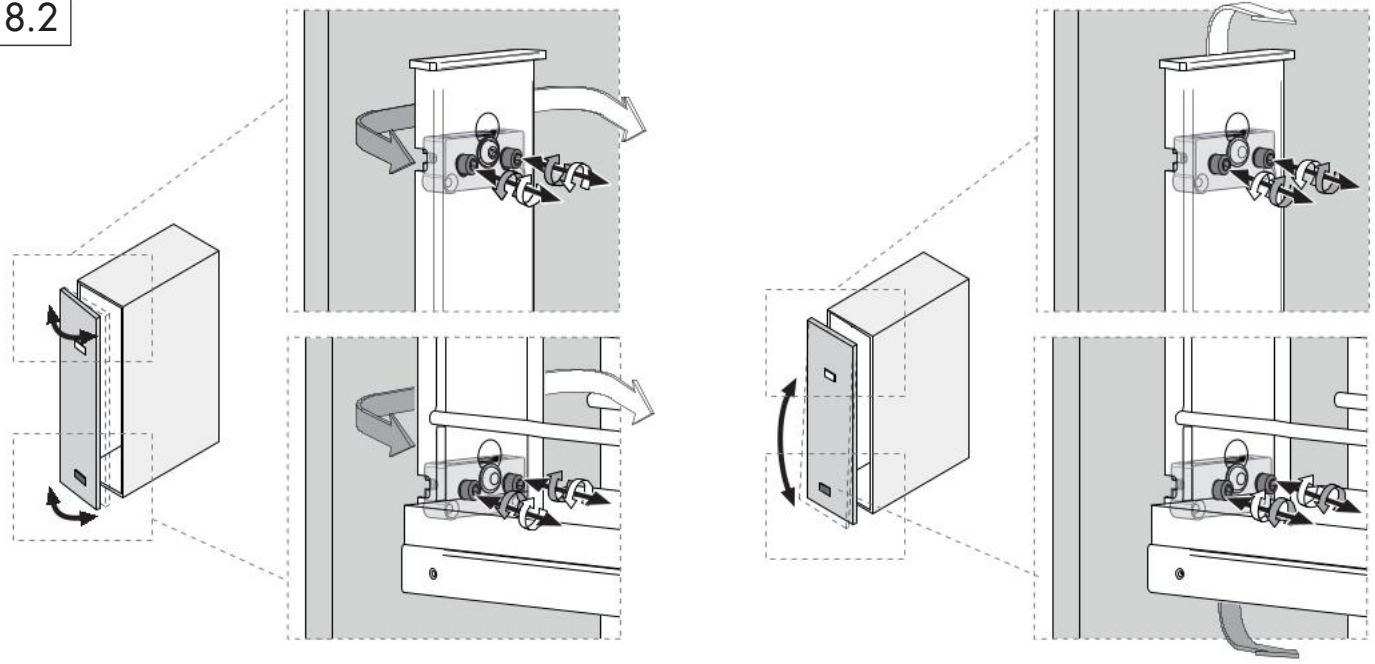
M6x6mm 



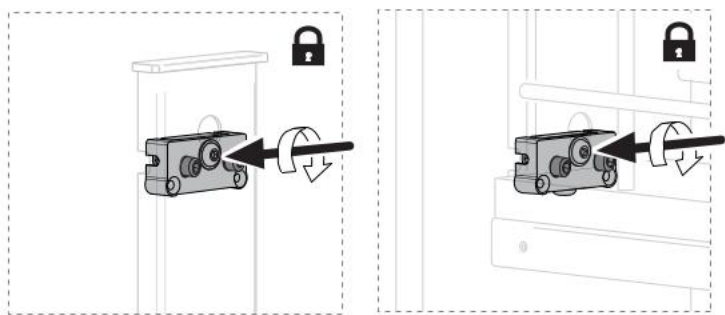
8.1



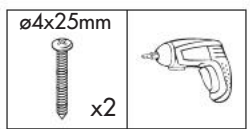
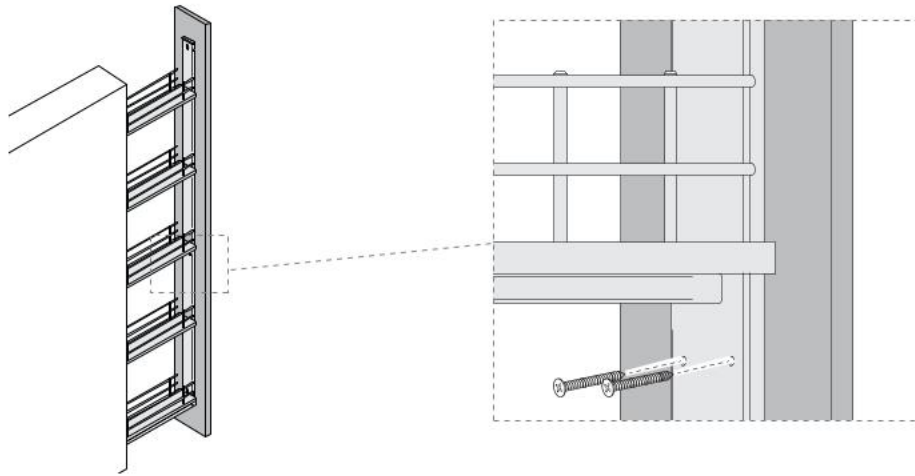
8.2



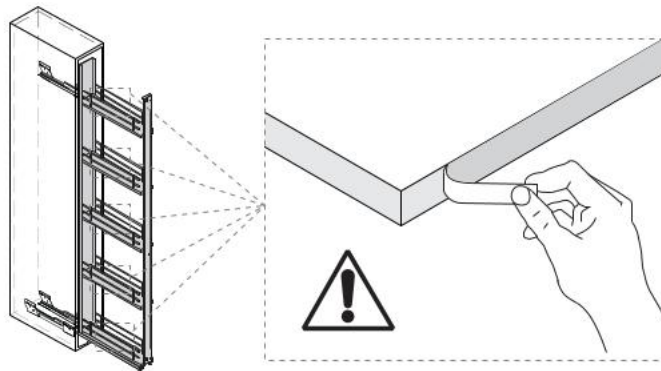
8.3



9



10



i Desmontaje | Dismount | Démontage

